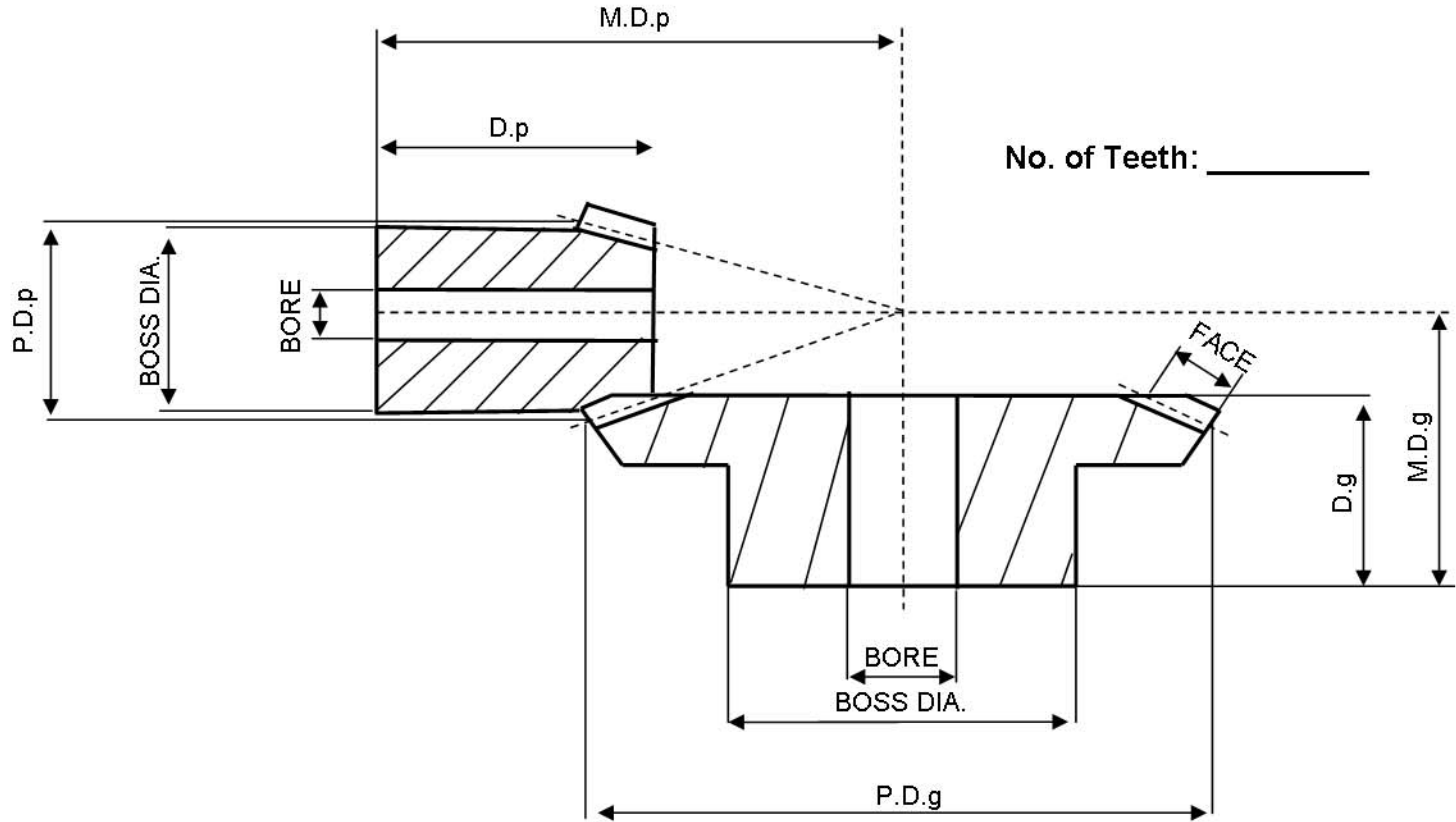


RATIO BEVEL GEARS



| | |
|-----------------|--|
| Company Name: | |
| Contact Name: | |
| Quantity Req'd: | |
| Phone Number: | |
| Fax Number: | |
| Email Address: | |

Please provide required dimensions and company information, plus any other information you may have, and fax back to Ronson Gears on **+61 3 9555 7480** for a price and availability.