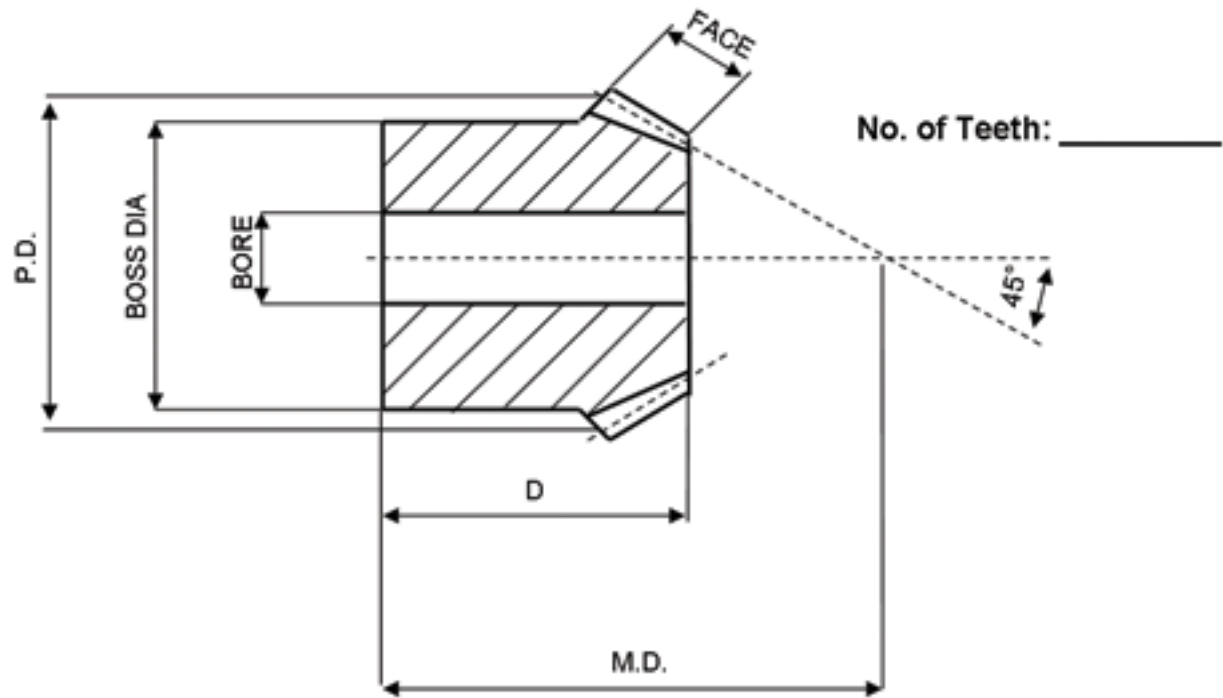


MITRE GEARS



Company Name:	
Contact Name:	
Quantity Req'd:	
Phone Number:	
Fax Number:	
Email Address:	

Please provide required dimensions and company information, plus any other information you may have, and fax back to Ronson Gears on **+61 3 9555 7480** for a price and availability.